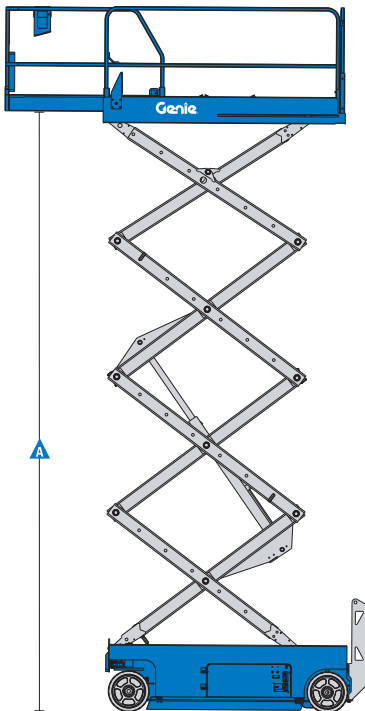
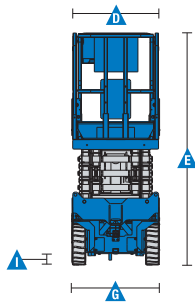
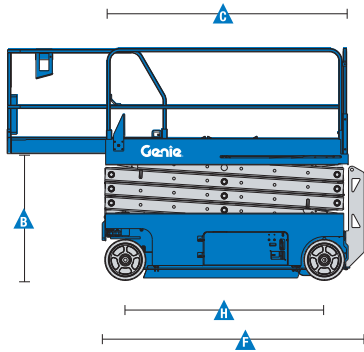


# Self-Propelled Scissor Lifts

## GS™ -4046 E-drive



### Specifications

Model	GS-4046	
Measurements	US	Metric
Working height maximum - indoor <sup>1</sup>	45 ft 2 in	13.94 m
- outdoor <sup>1</sup>	29 ft	9.01 m
<b>A</b> Platform height maximum - indoor	39 ft 2 in	11.94 m
- outdoor	23 ft	7.01 m
<b>B</b> Platform height - stowed	4 ft 9 in	1.45 m
<b>C</b> Platform length - outside	7 ft 5 in	2.26 m
- extended	10 ft 5 in	3.18 m
<b>D</b> Platform width - outside	3 ft 10 in	1.16 m
<b>E</b> Height - stowed with folding rails raised	8 ft 5 in	2.57 m
- stowed with rails lowered	6 ft 6 in	1.98 m
<b>F</b> Length - stowed	8 ft 2 in	2.48 m
- extended	11 ft 6 in	3.51 m
<b>G</b> Width	3 ft 10 in	1.18 m
<b>H</b> Wheelbase	6 ft 1 in	1.85 m
<b>I</b> Ground clearance - center	5 in	12 cm
- with pothole guards deployed	0.9 in	2.29 cm
Roll-out platform extension deck	3 ft	0.91 m
Guardrail height	3 ft 7 in	1.1 m
Toeboard height	6 in	15 cm

### Productivity

Max platform occupancy (in/out)	3/1	
Lift capacity	770 lbs	350 kg
Lift capacity - extension deck	250 lbs	113 kg
Drive height	Full height	
Drive speed - stowed	2.0 mph	3.2 km/h
Drive speed - raised	0.5 mph	0.8 km/h
Gradeability - stowed <sup>2</sup>	25%	
Turning radius - inside	zero	
Turning radius - outside	7 ft 6 in	2.29 m
Raise/lower speed	71/41 sec	
Tilt sensor activation - front to back	3°	
- side to side	1.5°	
Controls	proportional	
Drive	dual AC electric drive, front wheel	
Brakes	dual electric, front wheel	
Tires solid non-marking	15 x 5 in	38 x 13 cm

### Power

Power source	24 V DC, 210 Ah (four 12V, 210 Ah batteries)	
Hydraulic system capacity	4.9 gal	18.5 L

### Weight<sup>3</sup> / Floor Loading<sup>4</sup>

Weight - ANSI/CSA/CE	6,871 lbs	3,117 kg
Tire load, maximum:	2,735 lbs	1,241 kg
Tire contact pressure:	170.3 psi	1,174 kPa
Occupied floor pressure:	275 psf	13.17 kPa

Standards Compliance ANSI A92.20, CSA B354.6, CE EN280, AS 1418.10

<sup>1</sup> The metric equivalent of working height adds 2 m to platform height. U.S. adds 6 ft to platform height.

<sup>2</sup> Gradeability applies to driving on slopes. Gradeability may vary depending on the weight of options installed on machine. See operator's manual for details regarding slope ratings.

<sup>3</sup> Weight will vary depending on options and/or country standards.

<sup>4</sup> Floor loading information is approximate and does not incorporate different option configurations. It should be used only with adequate safety factors.