



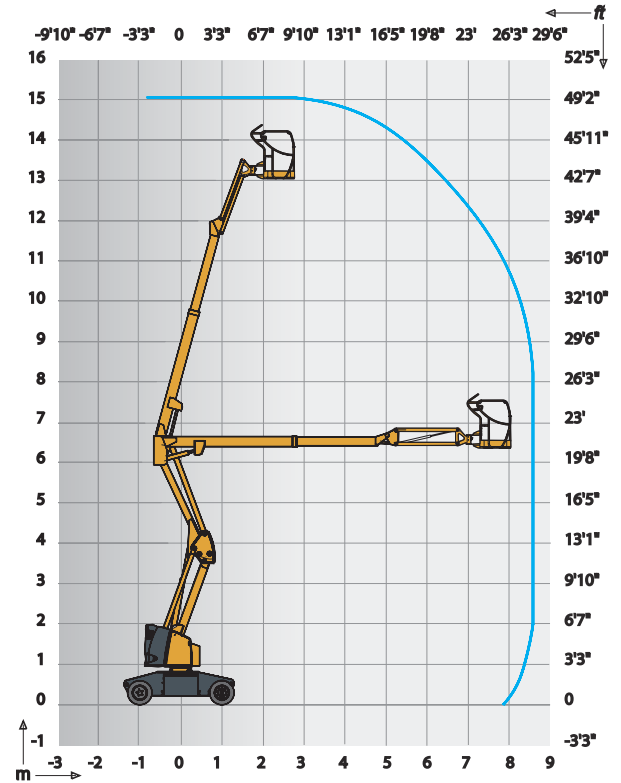
HA15IP

ELECTRIC ARTICULATING BOOMS

TECHNICAL DATA

HA15IP

Working height	14.87 m
Platform height	12.87 m
Horizontal outreach	8.65 m
Up and over clearance	6.25 m
Lift capacity	230 kg
Vertical jib rotation	130° (+65/-65)
A Length	6.65 m
B Width	1.52 m
C Height - stowed	2.1 m
Height - transport	3.02 m
D Wheelbase	2 m
E Ground clearance	14 cm
F x G Platform size	1.15 x 0.8 m
Tailswing	0 cm
Proportional drive speed	0.7 - 4.5 km/h
Turning radius - outside	3.95 m
Turntable rotation	355°
Platform rotation	180° (+90/-90)
Energy	48 V - 345 Ah (C5)
Gradeability	25 %
Tyres - non marking	23x10-12
Hydraulic system capacity	30 l
Weight	7 230 kg



STANDARD EQUIPMENT

- ③ Semi-traction battery
- ③ Battery charge indicator
- ③ 48 V - 50 A battery charger
- ③ Sensitive control box
- ③ 3° Tilt alarm
- ③ Non marking tyres
- ③ Outside / inside use: wind rated to 45 km/h
- ③ Brake release
- ③ Hourmeter
- ③ Slewing block pin
- ③ Towing hooks and lifting eyes
- ③ Emergency hand pump
- ③ 2 wheel drive and steer
- ③ Load limiter in cage
- ③ Horn

OPTIONS AND ACCESSORIES

- ③ Flashing light
- ③ Power to platform
- ③ Travel alarm
- ③ Centralised battery filling
- ③ 360 Ah traction batteries
- ③ Waterproof batteries
- ③ Air line to cage
- ③ Electric remote brake release
- ③ Biodegradable oil
- ③ Large basket option (1,5m x 0,8m)

